

GRANVILLE MEDICINE CABINETS WITH LIGHTS

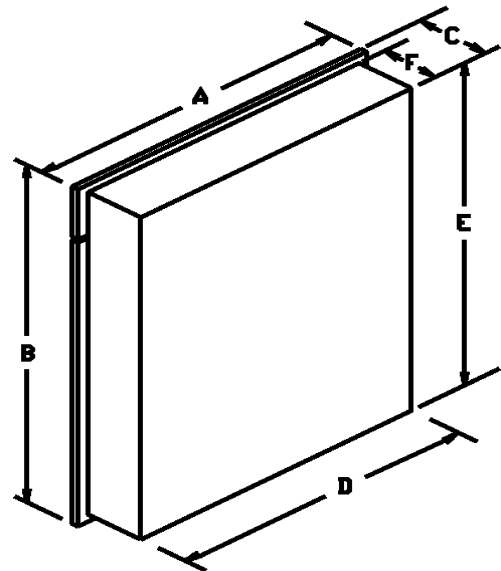


FEATURES/TYPICAL SPECIFICATIONS

- Surface-Mounted Installation
- Solid Wood Frame with Miter Cut Corners
 - Solid Poplar for PT02 Finish
 - Solid Oak for OK01 Finish
- Housing/Body is Panel Style Construction (No Face-Frame) (WD/FMLS)
- Particle Board Construction with PVC Laminate
- MDF Back Panel
- Dowel/Glue & Tongue & Groove Construction
- 3 Polished Edge Mirrors
- Fully Assembled for Quick Installation
- 2 Fixed Shelves
- Integral Mounting Bars with Pre-Drilled Mounting Holes
- Chrome Finish Glass Pivot Hinges (HG03)
- Includes Mounting Hardware
- Coordinated Magnet Finish
- Laminated Protective Mirror Backing
- CARB 93120 Phase 1 Compliant for Formaldehyde
- Satin Nickel Socket Cups
- Medium Base (E27) Sockets Typical
- Recommended Lamping 60W Maximum G25/G40 Lamps (Lamps by Others)
- Electrical Options are UL Listed

Available Finishes:

- Classic White (PT02)
- Honey Oak Finishes (OK01)



Model Numbers		Number of Lights	Finish	Dimensions In Inches					
NuTone	Broan			A	B	C	D	E	F
755363		3	PT02	24	30	4-3/4	22-1/2	28	4
755371	755371B	4	PT02	30	30	4-3/4	28-1/2	28	4
755379	755379B	5	PT02	36	30	4-3/4	34-1/4	28	4
755387		6	PT02	48	30	4-3/4	46-1/2	28	4
755395		3	OK01	24	30	4-3/4	22-1/2	28	4
755403	755403B	4	OK01	30	30	4-3/4	28-1/2	28	4
755411	755411B	5	OK01	36	30	4-3/4	34-1/4	28	4
755419		6	OK01	48	30	4-3/4	46-1/2	28	4

REFERENCE	QTY.	REMARKS	Project
			Location
			Architect
			Engineer
			Contractor
			Submitted by
			Date

* All models and material specifications are subject to change or withdrawal without notice.